

ACU6510 Digital Audio Control Unit

DZUS

3D Audio

Intercom

Overview

The Becker Avionics Audio Control Unit (ACU) is a remote audio control unit, which was designed for rotary and fixed wing aircraft. A modular and decentralized system design philosophy has been implemented to allow a maximum of flexibility and scalability.

Up to four Audio Control Units (ACU) can be connected per ARU and up to three ACUs can be connected per AMU. The DVCS6500 system can be scaled up to support up to 12 independent control units.

The ACU is a state-of-the-art audio control unit which is fully configurable. Each user in the system can have an individual HMI optimized for his needs. It is an interactive approach to modern cockpit designs offering a big range of individual configurations.

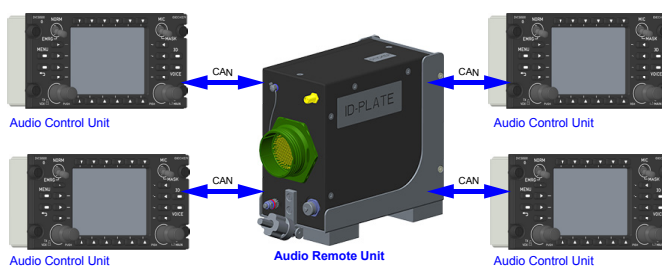
The crystal clear communication of the DVCS6500 System is based on a 20 year experience in digital audio systems and the individually programmable softkeys and functions can be tailored to the mission and aircraft configuration.

Features

- 20 softkeys fully configurable
- 2 voltage control inputs can be used as dimming inputs or for additional features
- 2 control inputs for PTT or for additional features
- 2 control outputs for status indication
- 3D audio access
- Bluetooth® (stereo)
 - Music, phone calls, tactical radio, etc.
- ComReplay - internally stored messages for briefing or alert
- Simulcast, marker mute, VOX sensitivity and many more
- Emergency functionality

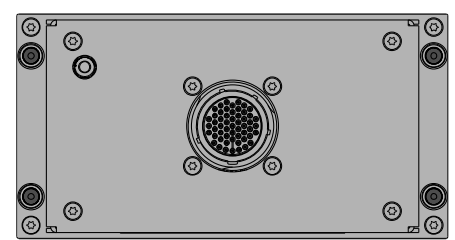
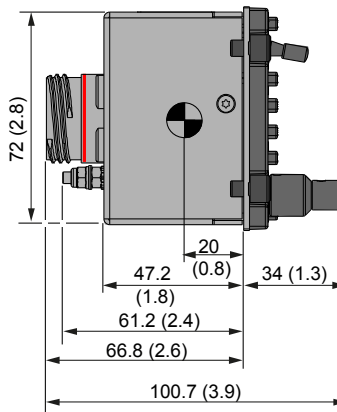
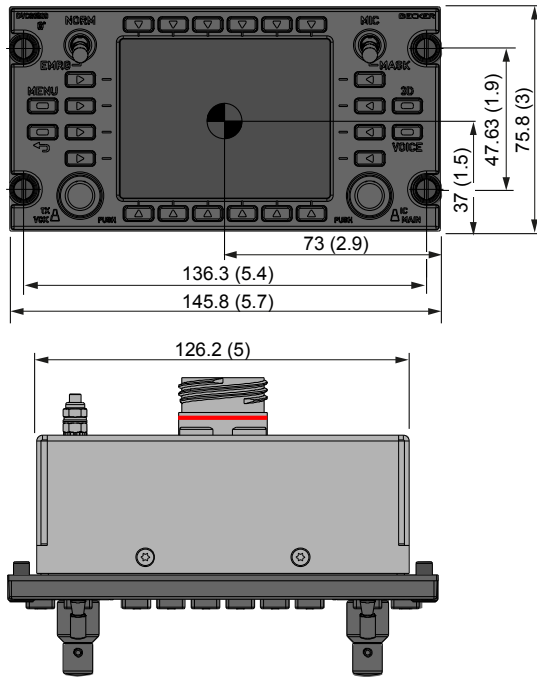
By combining the display and system architecture, the ACU increases the possibilities of intercom and multicast functions. Sophisticated intercom configuration allow direct access to all groups and crew members.

The ACUs are certified according: ETSO C139a, ETSO C59b, DO-214A, DO-178C Level C, DO-254 Level C and DO-160G.



- Winchman operation (optional)
- Guard Radio (optional)
- Radio Management (optional)
- Split HMI (optional)
- Intercom Conference (optional)
- Also as NVIS version available
- Easy device change - configuration saved in main devices
- Less weight
- Up to 3 control units (ACU65) can be connected to each AMU65
- Up to 4 control units (ACU65) can be connected to each ARU65





ACU - with rotary wing panel

Technical Data

ACU6510	Specification
Nominal voltage	28 VDC
Nominal current consumption (one ACU) at 28 V	≤ 0.2 A
VCTRL input	0...28 V
Display / illumination	16M color display / backlight for the complete front panel
Forced cooling	No forced cooling required
Altitude	50 000 ft
Operating temperature	-40...+55 °C
Storage temperature	-55...+85 °C
Short time high operating temperature	+70 °C
Dimensions HxWxD	75.8 x 145.8 x 100.7 mm (3 x 5.7 x 3.9 inch)
Weight	≤ 0.525 kg (1.16 lb)
Installation	Panel installation in cockpit environment, DZUS fastener (4x)
Certifications	ACU6510-()-() DO-214A, DO178C Level C, DO-254 Level C and DO-160G, EASA.210.10076774